

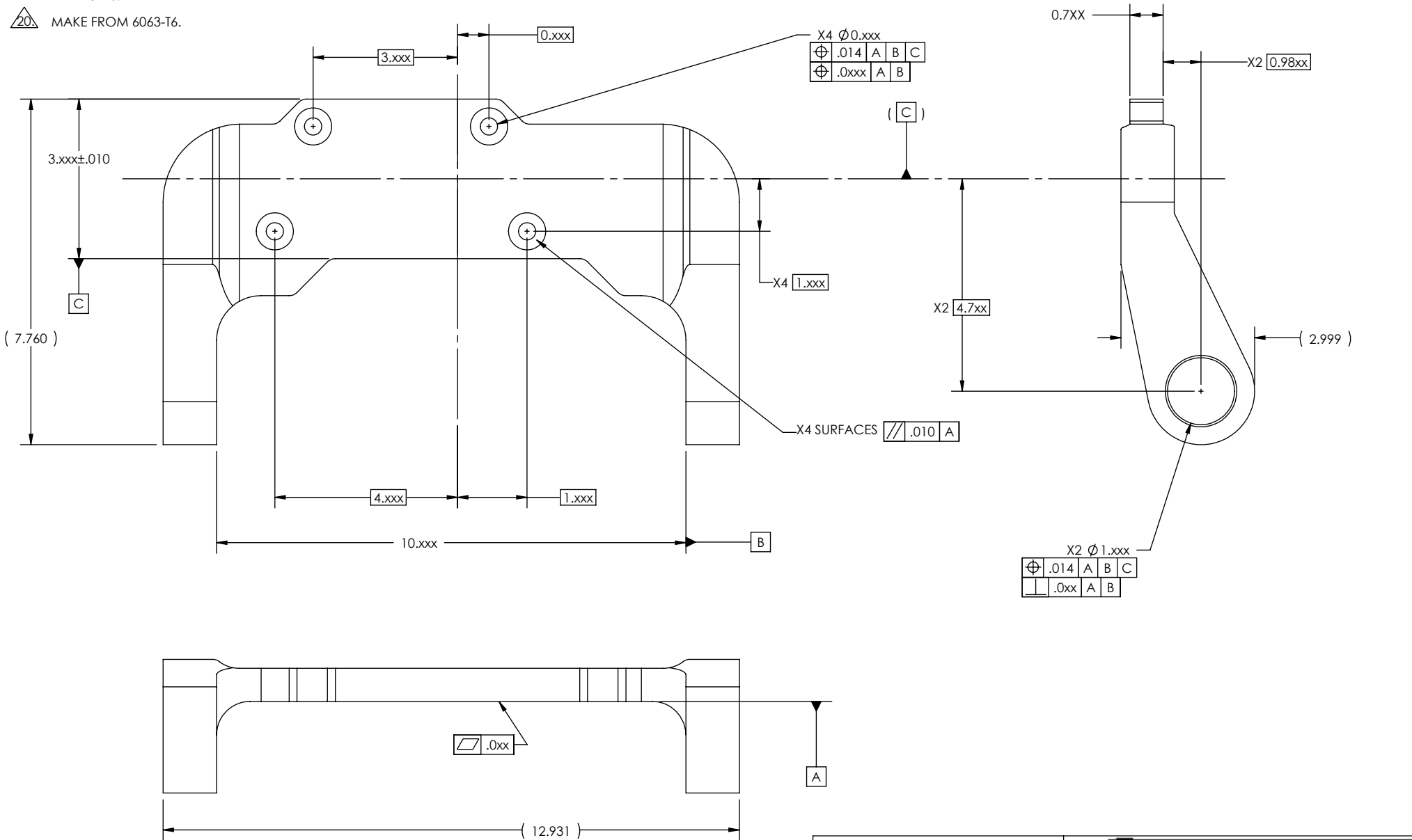
GENERAL NOTES:

- 10. PACKAGE TO PREVENT DAMAGE IN SHIPPING AND HANDLING.
- 11. DO NOT SCALE DRAWING.
- 12. DEBURR AND BREAK EDGES .005 TO .015. INTERNAL CORNER R.005 TO R.020.

MATERIAL NOTES:

 MAKE FROM 6063-T6.

REV	DESCRIPTION	DATE	APPROVED
NEW	ORIGINAL RELEASE	7/27/2021	L.MARKOSSIAN
-	-	-	-
-	-	-	-



UNLESS OTHERWISE SPECIFIED
DIMENSIONS ARE IN INCHES
- TOLERANCES -

DECIMALS	ANGULAR
.X ± .1	XX° ± .5°
.XX ± .01	XXX° ± .1°
.XXX ± .005	
.XXXX ± .0005	

SURFACE FINISH: 125 μINCH RG PER ASME B46.1
INTERPRET TOLERANCES PER ASME Y14.5M-2009

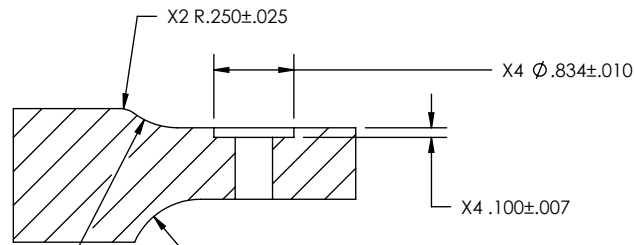
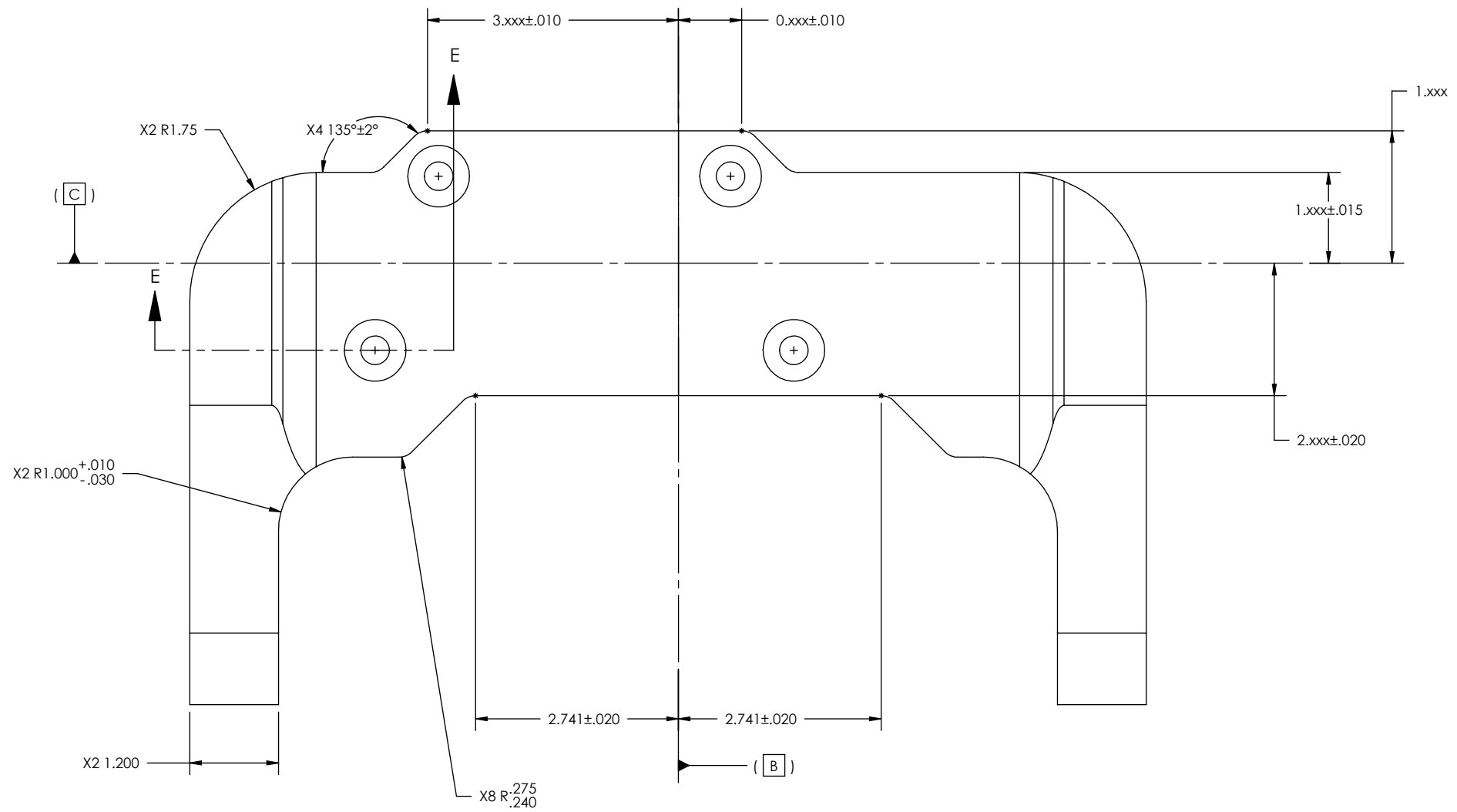


DWG NO: REAR DIFFERENTIAL MOUNT

REV LTR: NEW V0

PROPRIETARY NOTICE: This drawing/information/statement contains proprietary trade secret information of Overspeed Motorsports ("OS"). It is submitted to you for purposes of a business relationship with OS and is provided to you under a condition of confidentiality. This drawing/information/statement may be used by you solely for the purpose for which it is furnished and returned to OS upon request. Except for purposes of the actual or proposed business relationship with OS, this drawing/information/statement and the information contained therein is not to be reproduced, transmitted, disclosed, or used in whole or in part, without the express written authorization of OS.

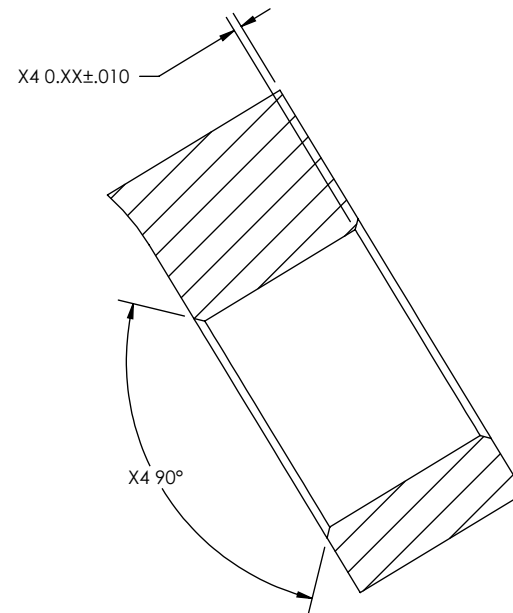
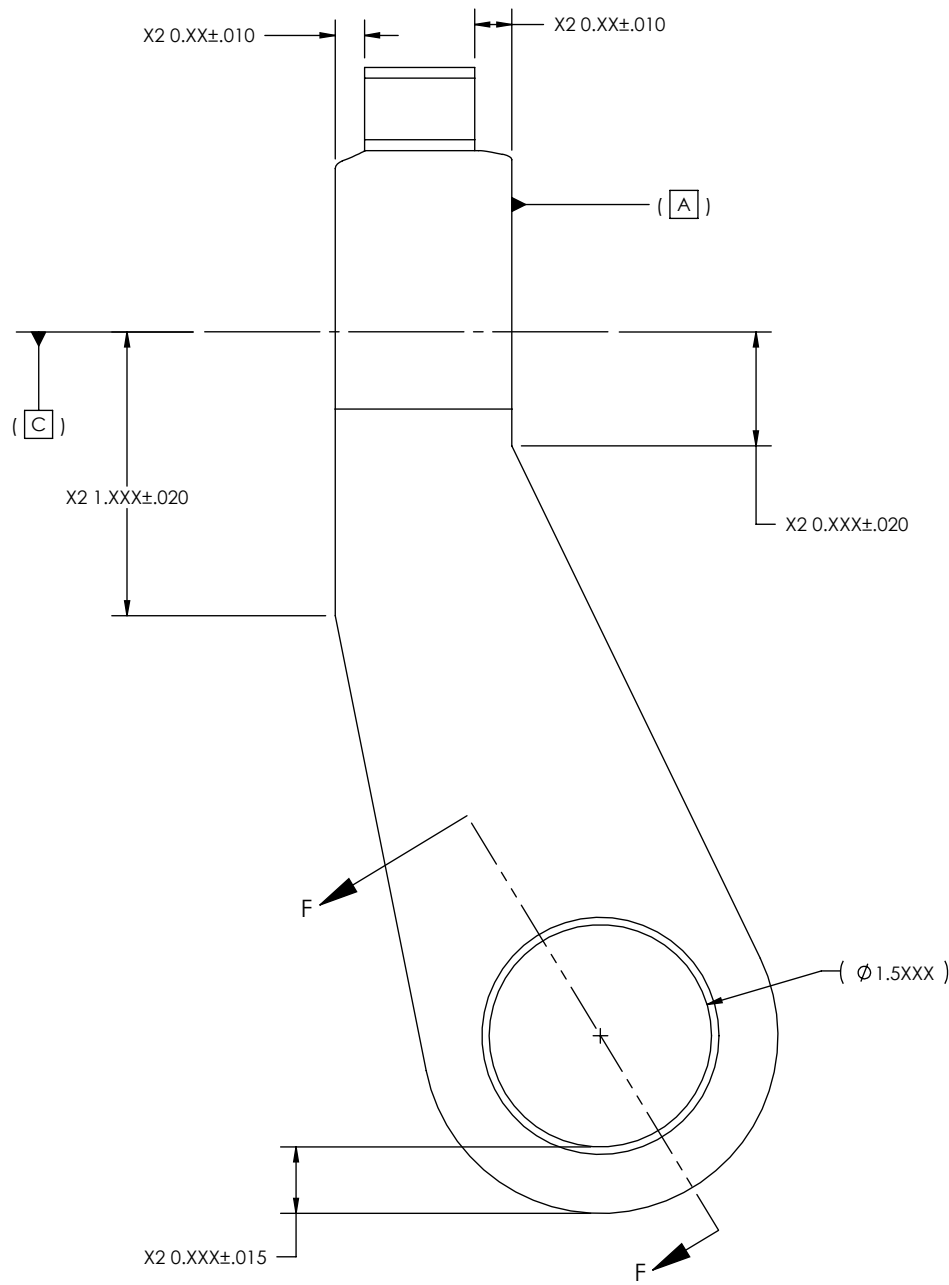
APVD: L.MARKOSSIAN	7/27/2021	SHEET SIZE: A	SCALE: NONE	Sheet 1 of 3
--------------------	-----------	---------------	-------------	--------------



PROPRIETARY NOTICE: This drawing/information/statement contains proprietary trade secret information of Overspeed Motorsports ("OS"). It is submitted to you for purposes of a business relationship with OS and is provided to you under a condition of confidentiality. This drawing/information/statement may be used by you solely for the purpose for which it is furnished and returned to OS upon request. Except for purposes of the actual or proposed business relationship with OS, this drawing/information/statement and the information contained therein is not to be reproduced, transmitted, disclosed, or used in whole or in part, without the express written authorization of OS.



DWG NO: REAR DIFFERENTIAL MOUNT	REV LTR NEW V0
APVD L.MARKOSSIAN	7/27/2021
SHEET SIZE: A	SCALE: NONE
Sheet 2 of 3	



SECTION F-F

PROPRIETARY NOTICE: This drawing/information/statement contains proprietary trade secret information of Overspeed Motorsports ("OS"). It is submitted to you for purposes of a business relationship with OS and is provided to you under a condition of confidentiality. This drawing/information/statement may be used by you solely for the purpose for which it is furnished and returned to OS upon request. Except for purposes of the actual or proposed business relationship with OS, this drawing/information/statement and the information contained therein is not to be reproduced, transmitted, disclosed, or used in whole or in part, without the express written authorization of OS.



DWG NO: REAR DIFFERENTIAL MOUNT REV LTR: NEW VO