

4

3

2

1

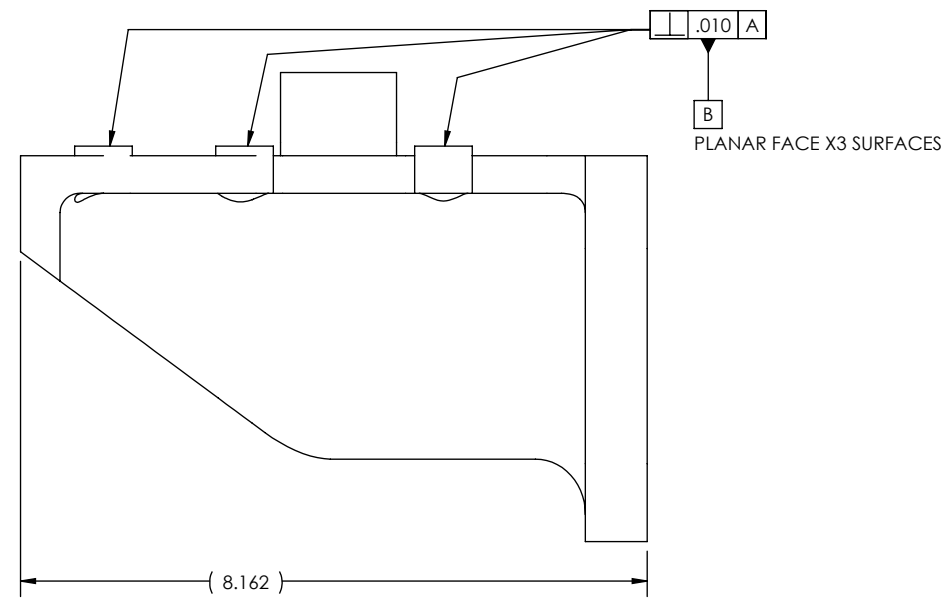
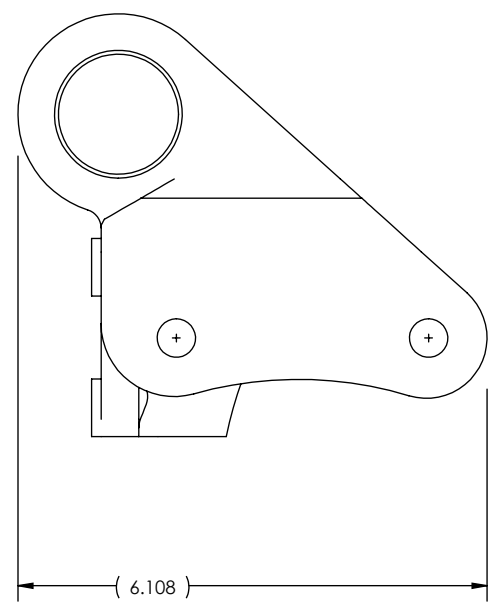
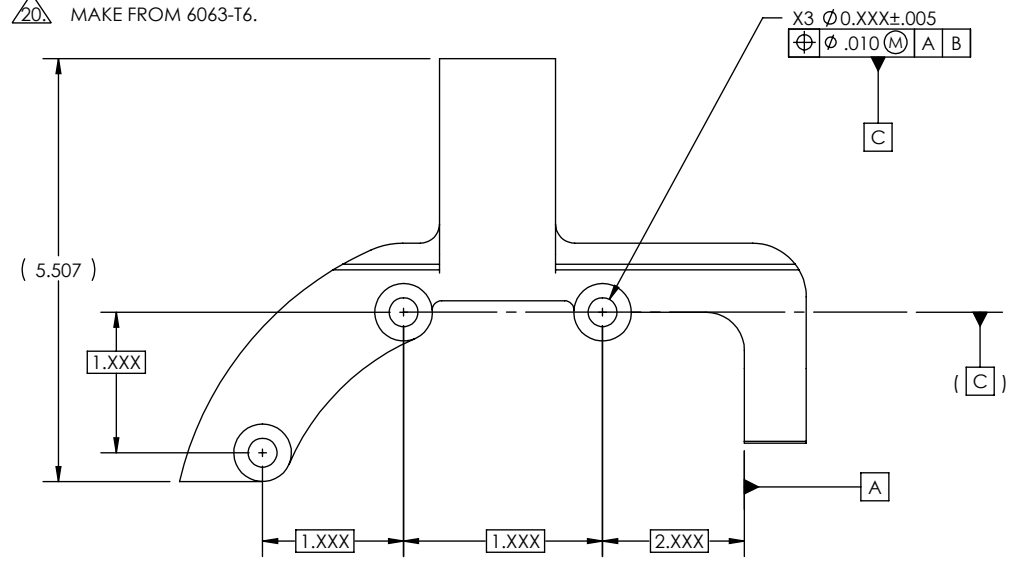
REV	DESCRIPTION	DATE	APPROVED
NEW	ORIGINAL RELEASE	8/25/2021	L.MARKOSSIAN
-	-	-	-
-	-	-	-

GENERAL NOTES:

- 10. PACKAGE TO PREVENT DAMAGE IN SHIPPING AND HANDLING.
- 11. DO NOT SCALE DRAWING.
- 12. DEBURR AND BREAK EDGES .005 TO .015. INTERNAL CORNER R.005 TO R.020.

MATERIAL NOTES:

 MAKE FROM 6063-T6.



UNLESS OTHERWISE SPECIFIED DIMENSIONS ARE IN INCHES - TOLERANCES -		ANGULAR XX° ± .5° XXX' ± 1'
DECIMALS		
.X	± .1	
.XX	± .01	
.XXX	± .005	
.XXXX	± .0005	
SURFACE FINISH 125 μINCH RG PER ASME B46.1		
INTERPRET TOLERANCES PER ASME Y14.5M-2009		



DWG NO: FRONT DIFFERENTIAL MOUNT
REV LTR
NEW
V5

PROPRIETARY NOTICE: This drawing/information/statement contains proprietary trade secret information of Overspeed Motorsports ("OS"). It is submitted to you for purposes of a business relationship with OS and is provided to you under a condition of confidentiality. This drawing/information/statement may be used by you solely for the purpose for which it is furnished and returned to OS upon request. Except for purposes of the actual or proposed business relationship with OS, this drawing/information/statement and the information contained therein is not to be reproduced, transmitted, disclosed, or used in whole or in part, without the express written authorization of OS.

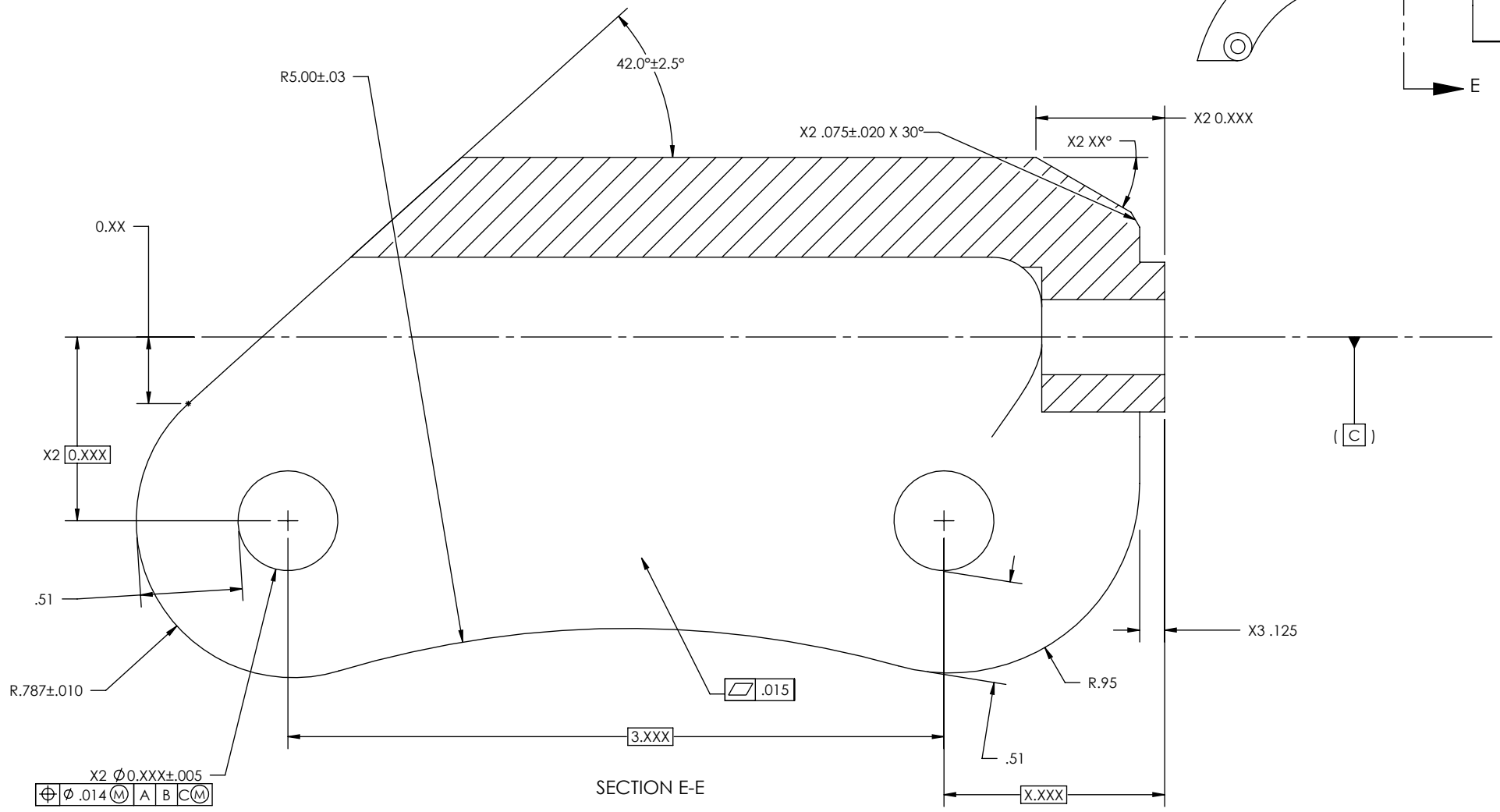
APVD	L.MARKOSSIAN	8/25/2021	SHEET SIZE: A	SCALE: NONE	Sheet 1 of 5
------	--------------	-----------	---------------	-------------	--------------

4

3

2

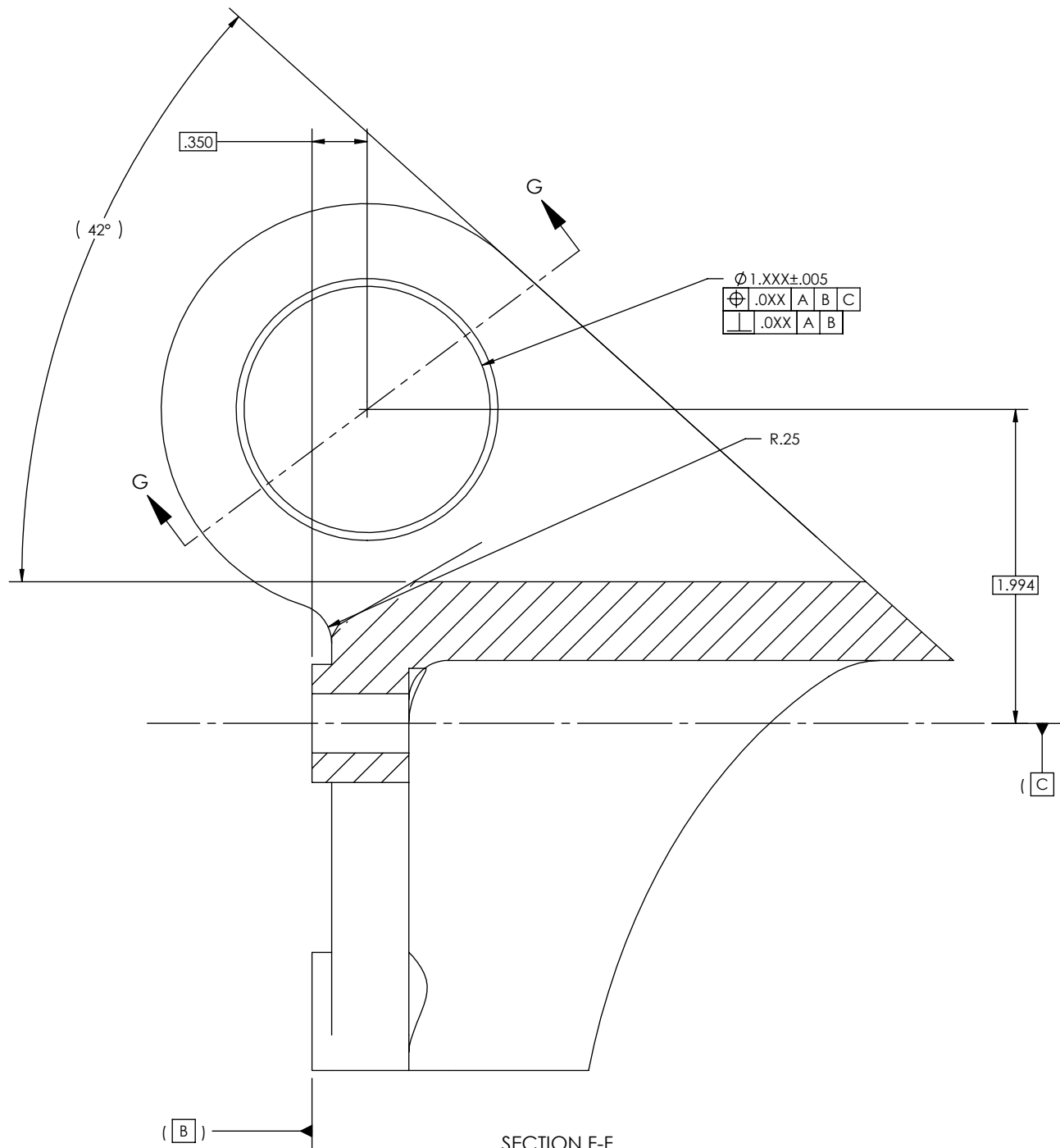
1



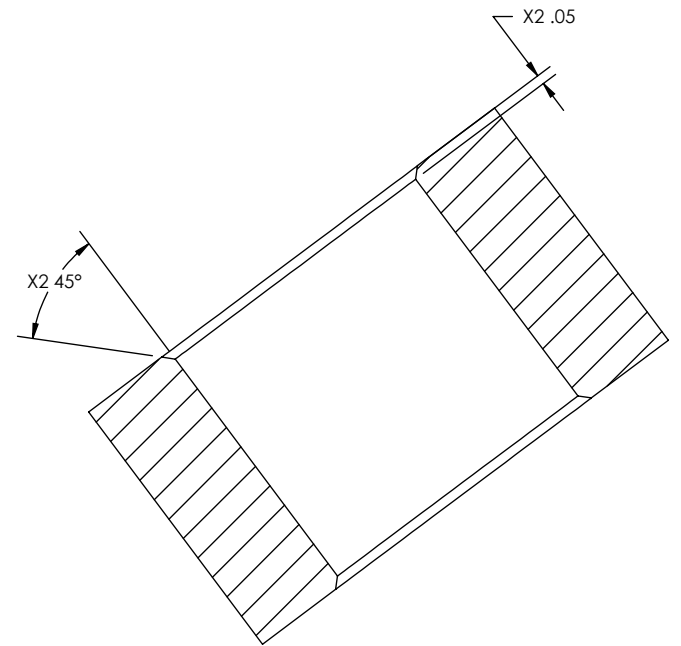
PROPRIETARY NOTICE: This drawing/information/statement contains proprietary trade secret information of Overspeed Motorsports ("OS"). It is submitted to you for purposes of a business relationship with OS and is provided to you under a condition of confidentiality. This drawing/information/statement may be used by you solely for the purpose for which it is furnished and returned to OS upon request. Except for purposes of the actual or proposed business relationship with OS, this drawing/information/statement and the information contained therein is not to be reproduced, transmitted, disclosed, or used in whole or in part, without the express written authorization of OS.



DWG NO: FRONT DIFFERENTIAL MOUNT REV LTR NEW V5



Ø 1.100 ± .005			
⊕	.0XX	A	B C
□	.0XX	A	B



SECTION G-G

(B) SECTION F-F



PROPRIETARY NOTICE: This drawing/information/statement contains proprietary trade secret information of Overspeed Motorsports ("OS"). It is submitted to you for purposes of a business relationship with OS and is provided to you under a condition of confidentiality. This drawing/information/statement may be used by you solely for the purpose for which it is furnished and returned to OS upon request. Except for purposes of the actual or proposed business relationship with OS, this drawing/information/statement and the information contained therein is not to be reproduced, transmitted, disclosed, or used in whole or in part, without the express written authorization of OS.

APVD	L.MARKOSSIAN	8/25/2021	DWG NO: FRONT DIFFERENTIAL MOUNT	REV LTR NEW V5
SHEET SIZE: A		SCALE: NONE	Sheet 4 of 5	